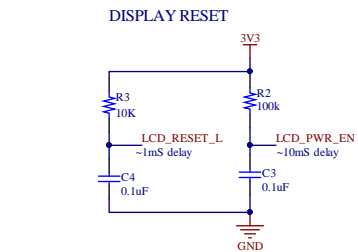
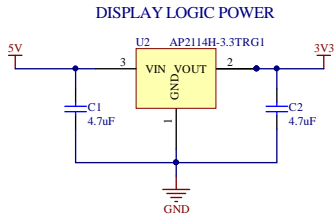
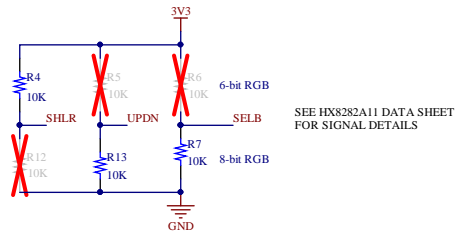


DT070DTFT-IPS(-HB)-PTS Reference Design

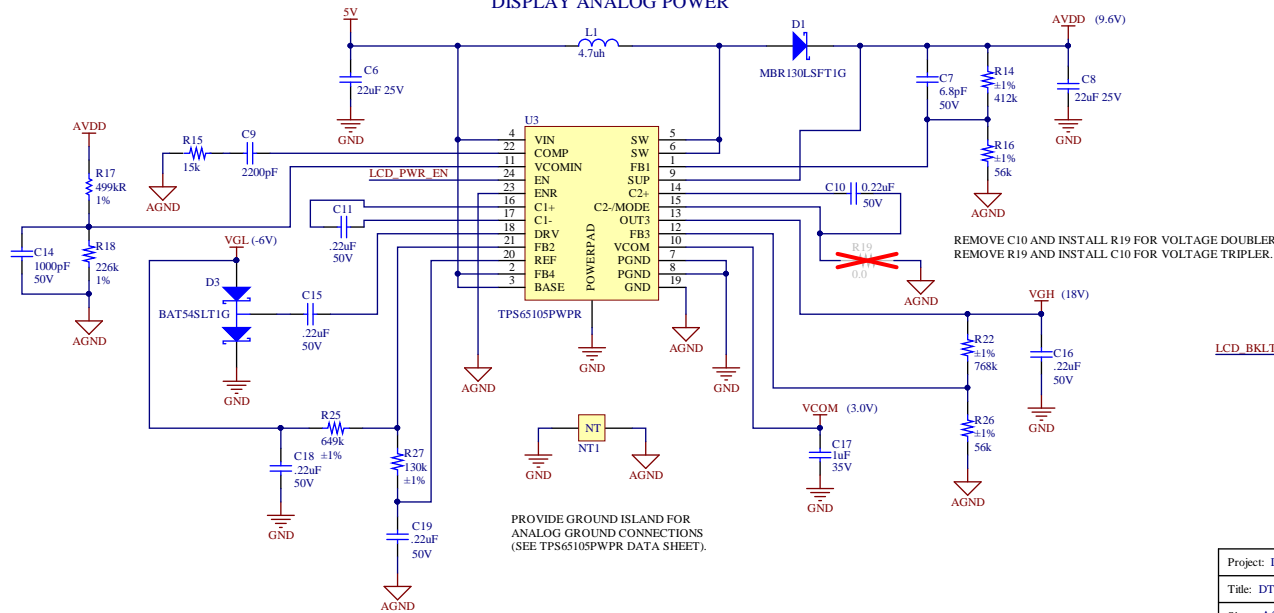
(Standard and High-Brightness Models)



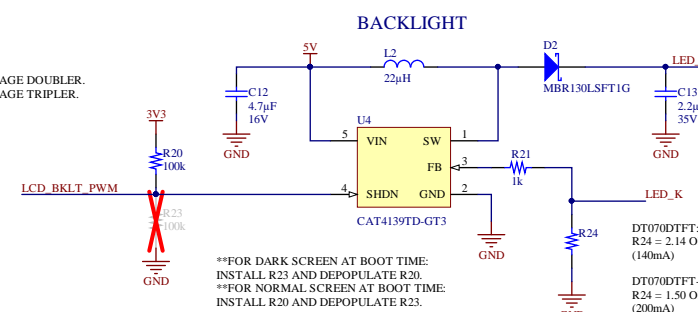
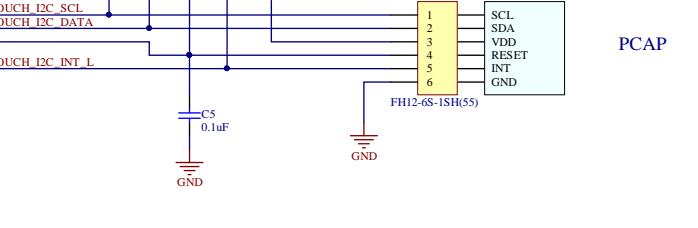
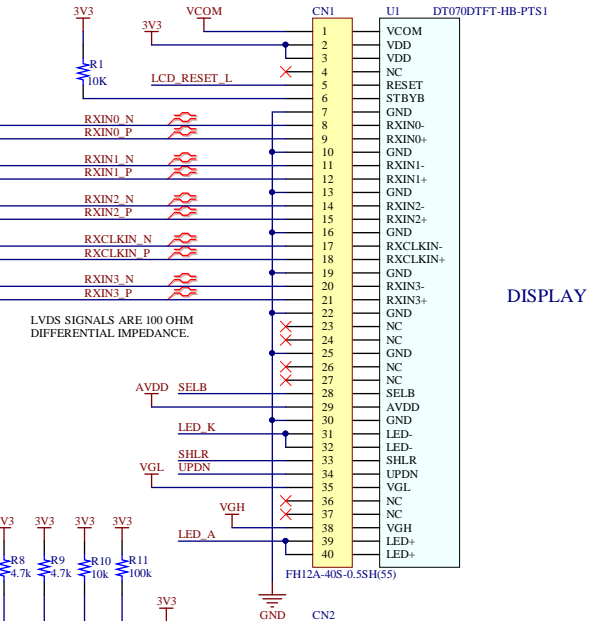
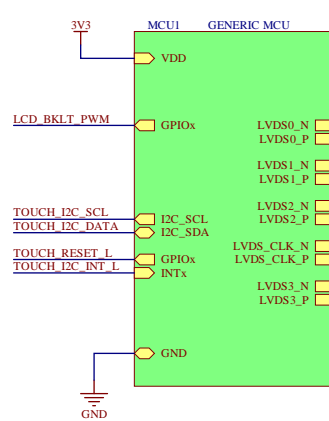
DISPLAY OPTIONS



DISPLAY ANALOG POWER



PROVIDE GROUND ISLAND FOR ANALOG GROUND CONNECTIONS (SEE TPS65105PWR DATA SHEET).



**FOR DARK SCREEN AT BOOT TIME: INSTALL R23 AND DEPOPULATE R20.
**FOR NORMAL SCREEN AT BOOT TIME: INSTALL R20 AND DEPOPULATE R23.

DT070DTFT: R24 = 2.14 Ohm 1% (140mA)
DT070DTFT-HB: R24 = 1.50 Ohm 1% (200mA)

Project: DT070DTFT-IPS-HB-PTS		 a seacompany	
Title: DT070DTFT-IPS(-HB)-PTS Reference Design			
Size: A3	Doc Number: 1	Revision: A1	Drawn By: RCG
Date: 2/11/2020	Time: 10:57:25 AM	Sheet: 1 of 1	Approved:
File: DT070DTFT-IPS-HB-PTS.SchDoc			Date:
			SEACOMP Displaytech 2546 Gateway Road Carlsbad, CA 92009 USA